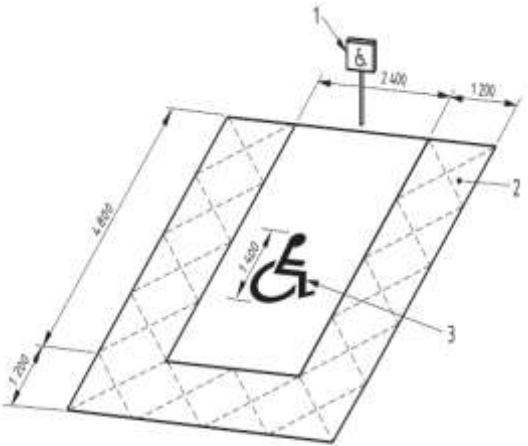
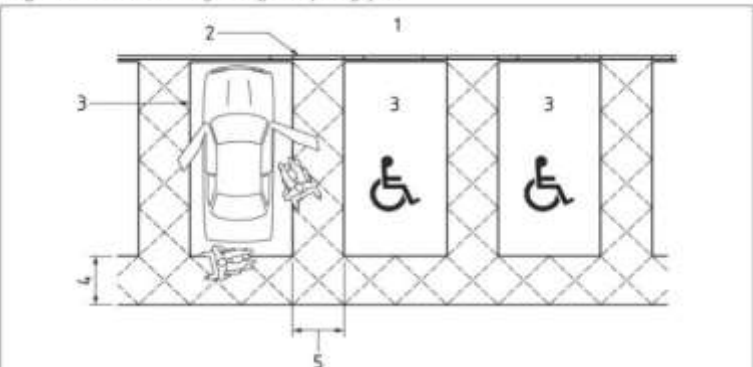


# Beckfoot Allerton School - Accessibility Action Plan.


Updated: 10/01/2025

Costskey: N=None, M=Minimal, OG=Ongoing, ST=Structural change, EX=Major structural change.

Item Ref.	Details / Issue	Recommendation	Est Cost	Action Taken
2.3	<p>Accessible bays are not of an appropriate size and do not have any recommended markings.</p> <p>The designated accessible parking should be clearly marked out at least 2.4m wide x 4.8m long plus a 1.2m side transfer zone at the side and end of the bay.</p>	<p>The accessible bay markings should provide clearly defined 1200mm transfer zones to both sides and rear and with the required access symbol.</p> <p>BS8300 recommends a sign or, if appropriate, signs should be provided at the entrance to each car park and at each change in direction to direct disabled motorists to designated parking spaces. Also, install a sign to the front of each space as shown:</p>	M	May-24
	 <p><b>Key</b></p> <ol style="list-style-type: none"> <li>1 Sign, with its lower edge 1 000 mm above the ground, to identify parking space when road markings obscured e.g. by snow or fallen leaves, with the words "Blue badge holders only"</li> <li>2 1 200 mm wide access zone between designated parking spaces</li> <li>3 International Symbol for Access</li> </ol>	<p><b>Figure 4 — Access around designated off-street parking spaces</b></p>  <p><b>Key</b></p> <ol style="list-style-type: none"> <li>1 Preferred access route avoiding travel behind parked cars</li> <li>2 Dropped kerb or level access</li> <li>3 Standard 2 400 mm x 4 000 mm designated accessible parking space</li> <li>4 1 200 mm wide safety zone for hoist access and cars with rear hoists, outside the traffic zone</li> <li>5 1 200 mm wide marked access zone between and at either end of designated accessible parking spaces</li> </ol>		

2.4	The parking spaces are located on the opposite side of the road to the main entrance. There is no crossing point directly to the school entrance.	<p>Accessible routes should be direct and obstruction-free and no less than 1200mm wide. A suitable level crossing point such as a Zebra or Pelican crossing should be provided to the school entrance with dropped kerbs and tactile paving where required.</p> <p>BS8300 recommends that to be accessible, the minimum surface width of an access route (i.e. between walls, kerbs or path edgings) should be at least 1800 mm for general routes although a width of 2000 mm is preferable to accommodate larger electric mobility scooters.</p>	M	The council have been asked to provide a crossing point but they will not provide one.
2.5	The parking spaces are located on the opposite side of the road to the main entrance. There is no crossing point directly to the school entrance.	<p>Provide an accessible parking spaces in an area which provides level access to the accessible/ main entrance, or provide a suitable access route from the current location - refer to 2.4. BS8300 recommends that designated accessible parking spaces in uncovered parking areas should be located on firm and level ground, as close as is feasible to the accessible entrance to the building.</p> <p>The route should either be level along its length or should be gently sloping or incorporate a ramp or ramps, with the lowest practicable gradient within the range 1:20 to 1:12 and the maximum corresponding length between landings. Refer to BS8300 for further details.</p>	M	

<p style="text-align: center;">4.5</p>	<p>The external steps do not have suitable colour contrast provided to the edge of the step nosings.</p> <p>Main Entrance Steps Entrance area 8 Entrance area 59 Entrance area 113</p>	<p>Bright colour contrast needs to be painted to the edge of the step nosings to clearly highlight their presence.</p> <p>☒</p> <p>BS8300 - Each step nosing should incorporate a durable, permanently contrasting continuous material for the full width of the stair on both the tread and the riser to help people who are blind or partially sighted appreciate the extent of the stair and identify individual treads. The contrasting material should extend 50 mm to 65 mm in width from the front edge of the tread and 30 mm to 55 mm from the top of the riser, and should contrast visually with the remainder of the tread and riser.</p>	<p style="text-align: center;"><b>OG/M</b></p>	<p style="text-align: center;">Mar-24</p>
--	--	---	--	---

<p>6.5</p>	<p>There is no induction loop provided to the reception desk to accommodate hearing aid users who struggle when there is background noise.</p>	<p>Install an induction loop to the reception desk. Install signage indicating the availability of the facility and ensure that staff members are aware of how to use the system. ADM vol-2 requires that any reception point is provided with a hearing enhancement system, e.g. an induction loop and the presence of an induction loop or infrared hearing enhancement system is indicated by the standard symbol:</p>  <p>It is a legal requirement under the Equality Act 2010 to provide auxiliary aids.</p> <p>Direct Access has a partnership with a world leading induction loop manufacturer to provide auxiliary aids for people with hearing impairments. Please contact the Direct Access Implementation Team for more details at <a href="mailto:info@directaccess.group">info@directaccess.group</a> or read more at <a href="https://directaccessgp.co.uk/induction-loops-and-hearing-enhancement-systems/">https://directaccessgp.co.uk/induction-loops-and-hearing-enhancement-systems/</a></p>	<p>M</p>	<p>Jul-24</p>
<p>10.2</p>	<p>The nosing strips for some stairs are a similar colour as the treads which results in a lack of colour contrast causing a potential tripping hazard.</p>	<p>The nosings of the steps are recommended to be contrasted. The contrasting material should extend 50 mm to 65 mm in width from the front edge of the tread and 30 mm to 55 mm from the top of the riser, and should contrast visually with the remainder of the tread and riser.</p>	<p>OG/M</p>	<p>Feb-24</p>

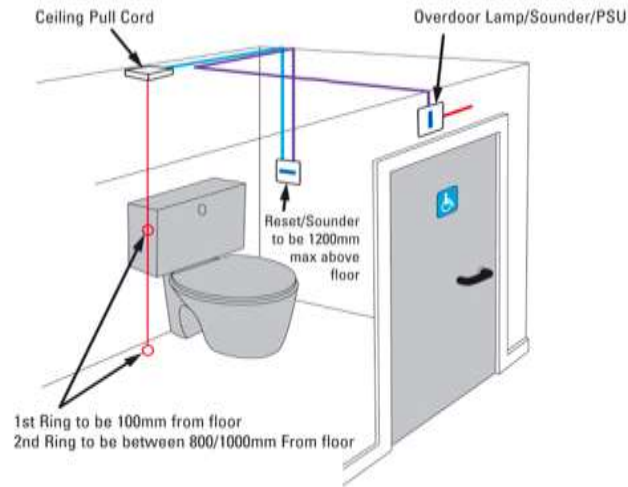
<p>13.4</p>	<p>There is no grab rail to the inner face of most of the accessible WC entrances, except for WC 167.</p> <p>All have door locks compliant to BS8300 except for where the background plate is the same colour as the handle and lock.</p>	<p>Outward opening accessible WC doors should have a well contrasted horizontal pull/ grab-rail fitted to the interior face where no door closing device is fitted. This should be at a height of 800-1050mm with 900mm being preferred.</p> <p>Wherever possible, door opening furniture used in conjunction with locks and latches should have a lever action. Knobs with a spherical, circular or similar design, as well as small symmetrical turn buttons, are difficult to use by many people with limited dexterity or limited upper body strength.</p>	<p>M</p>	
<p>13.5</p>	<p>Shower room 57 with a peninsular layout was full of items being stored there so the sink would not be able to be used.</p> <p>All others had sinks in suitable positions.</p>	<p>Accessible WCs must be regularly inspected in order to maintain the transfer zone and other areas alongside the WC free of obstructions. Bins and other items can prevent wheelchair users from approaching and transferring or using other facilities such as the sinks.</p> <p>It is vitally important and is strongly recommended that a management procedure be implemented to ensure that accessible WC facilities are always kept clear.</p> <p>☒ This will enable wheelchair users to adopt the many transfer techniques available to them in which an accessible WC is designed to provide. Without a free transfer area, a wheelchair user is highly unlikely to be able to use a facility.</p>	<p>N</p>	<p>Jul-23</p>

13.9	<p>The flush is not of spatula style and it is located on the correct side of the toilet pan for WCs 9 and 167.</p> <p>WC 57 has flash that is not of spatula style and it is located on the wrong side of the toilet pan.</p> <p>WC 37 does not have a lever flush with push button flush on the top of the cistern.</p>	<p>Install a spatula style flush on the transfer side of the toilet pans.</p> <p>Refer to BS8300 - Where practicable, the flush should be operated manually by a spatula type lever and, for a corner arrangement, positioned on the open or transfer side of the pan for ease of access.</p>	M	Mar-24
13.10	<p>On the day of the survey, the sanitary bins were stored within the transfer area of the accessible WC denying wheelchair users the appropriate transferring techniques in which an accessible WC is designed to provide.</p>	<p>Accessible WCs must be regularly inspected in order to maintain the transfer zone alongside the WC free of obstructions. Bins and other items can prevent wheelchair users from approaching and transferring.</p> <p>It is vitally important and is strongly recommended that a management procedure be implemented to ensure that accessible WC facilities are always kept clear.</p> <p>☒ This will enable wheelchair users to adopt the many transfer techniques available to them in which an accessible WC is designed to provide. Without a free transfer area, a wheelchair user is highly unlikely to be able to use a facility.</p>	N	Jul-23

13.11

On the day of the survey, the cord alarm within the accessible WCs were not hanging loose hence should someone stumble on the floor they would not be able to reach it.

Alarm is hanging on opposite side to the WC.




Cord alarms should be provided, and monitored to ensure that they function correctly and are located at full length in their correct position so that they can be accessed in the event of an emergency.

Emergency alarm cords should always feature bangles at two heights and stand at 100mm off the ground floor level. According to BS8300 an emergency assistance pull cord should be sited so that it can be operated from the WC and from an adjacent floor area. The emergency assistance pull cord, coloured red, should be provided with two red bangles of 50 mm diameter, one set at a height between 800 mm and 1000 mm and the other set at 100 mm above floor level.

BS8300 recommends that the reset control for the emergency assistance alarm should be clearly marked as such and should be reachable from a wheelchair and, where relevant, from the WC. The reset control should be easy to operate and located with its bottom edge between 800 mm and 1 000 mm above finished floor level. The marking of the reset control should be both visual and tactile.


N

Jul-24

16.6	<p>No induction loops are provided in the school.</p> 	<p>Install a fitted induction loop to benefit hearing aid users. An induction loop or similar should be present at the premises where visitors are likely to experience presentations, meetings, training etc.</p> <p>It is a legal requirement under the Equality Act 2010 to provide auxiliary aids.</p> <p>Direct Access has a partnership with a world leading induction loop manufacturer to provide auxiliary aids for people with hearing impairments. Please contact the Direct Access Implementation Team for more details at <a href="mailto:info@directaccess.group">info@directaccess.group</a> or read more at <a href="https://directaccessgp.co.uk/induction-loops-and-hearing-enhancement-systems/">https://directaccessgp.co.uk/induction-loops-and-hearing-enhancement-systems/</a></p> <p>According to BS8300 - A hearing enhancement system, using induction loop, infrared or radio transmission, should be installed in rooms and spaces used for meetings, lectures, classes, performances, spectator sport or films, and at service or reception counters where the background noise level is high or where glazed screens are used.</p>	M	Jul-24
16.7	No induction loops are provided in the school.	Refer to recommendation for 16.6.	M	Jul-24



<p>17.4</p>	<p>No fire lift is provided.</p> <p>No refuge areas seen but an evacuation chair was seen in the accessible WC 167.</p>	<p>BS8300 recommends that: Lifts are the most appropriate means of evacuation for some people, and the use of either an evacuation lift or a conventional passenger lift providing the functionality of an evacuation lift should be incorporated into an evacuation strategy.</p> <p>Lifting appliances not designed for evacuation can be used for evacuation in certain circumstances, provided a fire risk assessment has evaluated that the lifting appliance is able to function as an evacuation lift (see BS9999).</p> <p>We recommend that Evacuation Chairs are provided in suitable locations and are properly signposted. Refer to recommendation for 18.6.</p>	<p>M/ST</p>	<p>Aug-23</p>
-------------	---	---	-------------	---------------

<p>17.5</p>	<p>An evacuation chair was seen in the accessible WC 167.</p> <p>It was not located in the stairwell and had no signs nearby to inform people of its availability.</p> <p>There was a sign seen within one of the upstairs landings but no other signage was seen indicating refuge areas or the evacuation chair.</p> 	<p>In order to evacuate disabled people from upper floors suitable equipment should be available within fire refuges. This equipment is often an evacuation chair that requires disabled people to transfer to the evacuation chair before safely descending a protected stairway to a final exit. It is important that the quality of the equipment is high and that there is enough equipment to cater for the expected use of the building by disabled people. <a href="https://directaccessgp.com/evacuation-solutions/">https://directaccessgp.com/evacuation-solutions/</a></p> <p>Signage should be provided to indicate the location of the Evacuation chairs. Depending on where a fire risk assessment identifies the need for a sign, the sign should be displayed prominently, conspicuously and appropriately having regard to the environment and occupancy characteristic of the building.</p>	<p>M</p>	<p>Jul-23</p>
<p>18.3</p>	<p>No issues to report. Routes were generally kept clear of any obstacles or items that could present potential difficulties for wheelchair users to manoeuvre.</p> <p>There were some items outside the kitchen fire exit that should be removed to allow clear exit routes.</p>	<p>Horizontal circulation including corridors and passageways should be subject to regular inspection and maintenance to ensure that surfaces are maintained in good condition and access routes are provided at their full available width free of obstructions.</p>	<p>N</p>	<p>Sep-23</p>

18.4	Site management need to ensure that the appropriate procedures are implemented.	All lifts must be subject to regular inspection, maintenance and servicing at manufacturer prescribed intervals to ensure that they are continually available for use. Maintenance and servicing schedules should be scheduled to avoid peak times where the lift will be required most by disabled people.	M	Jul-23
18.5	<p>Site management need to ensure that the appropriate procedures are in place to frequently check the exit routes to make sure that there are no obstacles.</p> <p>Alarm systems including those within the WCs also need to be checked.</p>	<p>Site management need to ensure that the appropriate procedures are in place to frequently check the exit routes to make sure that there are no obstacles.</p> <p>Alarm systems including those within the WCs also need to be checked.</p>	N	Sep-23


<p>18.6</p>	<p>Site management need to ensure that the appropriate personal egress plans are available for each member of staff needing assistance.</p>	<p>As a disability access consultancy Direct Access strongly recommend that PEEPs are in place to a practical degree and that they are kept up to date.</p> <p>PEEPS (Personal Emergency Evacuation Plans) must be planned in consultation with individual disabled people that are expected to regularly access the building. Additional generic PEEPs should be provided to cater for the possibility of wheelchair users, Deaf and partially hearing people and Blind and partially sighted people using the building.</p> <p>PEEPS (Personal Emergency Evacuation Plans) are recommended to be provided, practiced and implemented by building management to ensure that correctly trained personnel and the correct equipment is in place to facilitate the efficient evacuation of disabled people, as recommended in BS9999/46.2 &amp; Part B/B1.xvi. Guidance on providing PEEPS can be found here <a href="https://www.gov.uk/government/publications/fire-safety-risk-assessment-means-of-escape-for-disabled-people">https://www.gov.uk/government/publications/fire-safety-risk-assessment-means-of-escape-for-disabled-people</a></p>	<p>N</p>	<p>Jul-23</p>
-------------	---	--	----------	---------------

<p>18.7</p>	<p>Site management need to ensure that both the general escape strategy and personal emergency egress plans are regularly checked for efficiency and effectiveness.</p>	<p>Site management need to ensure that both the general escape strategy and personal emergency egress plans are regularly checked for efficiency and effectiveness.</p> <p>It is the responsibility of building operators to have Fire Risk Assessment and evacuation plans in place. Government guidance states, "Such an evacuation plan should not rely upon the intervention of the Fire &amp; Rescue Service to make it work". Refer to: <a href="https://assets.publishing.service.gov.uk/government/uploads/system/uploads/attachment_data/file/886446/9446_Means_of_Escape_v2_.pdf">https://assets.publishing.service.gov.uk/government/uploads/system/uploads/attachment_data/file/886446/9446_Means_of_Escape_v2_.pdf</a></p>	<p>N</p>	<p>Jul-23</p>
<p>18.8</p>	<p>Site management need to ensure that cord alarms within the accessible WC are tested frequently as part of general maintenance and regularly checked for efficiency and effectiveness.</p>	<p>Refer to the recommendations regarding provision of induction loops. BS8300 recommends that induction loops should be tested on a weekly basis. The responsible person needs to ensure the satisfactory operation of the induction loop by use of a test signal and either a fixed loop monitor receiver or a portable field strength meter. Supplement this with a listening test using real speech into the microphone(s), to ensure that the microphone(s) are working correctly and that amplifier control settings have not been inappropriately changed.</p> <p>It is essential that the system is subject to periodic inspection and servicing. Periodic inspection and servicing at intervals not exceeding 12 months needs to be carried out by a competent person with specialist knowledge of induction loop systems.</p>	<p>M/OG</p>	<p>Dec-23</p>

PRIORITY B

1.9	<p>Entrance gates throughout the school grounds do not suitably colour contrast and there is no contrast to the controls to aid people with impaired vision.</p> <p>Intercoms provide some contrast but do not have tactile or contrasting controls. Some accessible features were provided by an LCD screen.</p>	<p>ADM vol-2 requires that controls or switches requiring precise hand movements are located between 750-1200mm above the floor.</p> <p>BS8300 recommends that all switches and controls that require precise hand movement/dexterity are in a zone 750 mm to 1000 mm from the floor so that wheelchair users and people standing can operate them.</p> <p>Entryphone systems should be sited for approach and use by all users, including wheelchair users, and should contain a light emitting diode (LED) display to enable people who are Deaf and hard of hearing to use them. The means of indicating that the call is acknowledged and that the lock has been released (if permitted) should be both audible and visible. The entryphone system should contrast visually with the background against which it is seen.</p> <p>The information associated with the controls should be embossed to aid tactile reading.</p> <p>Fencing and guardrails should contrast visually with the background against which they will be seen, under a variety of lighting conditions.</p>	M	
-----	---	--	---	--

2.6	Car park is not large but is some distance from the main entrance. There are no safety marked out walking routes within the car park potentially putting people at risk, particularly those with hearing impairments who may not hear a car reversing out of its space.	Consider marking out 1200mm wide hatched pedestrian routes within the car parks complete with signage warning of pedestrians. Also recommend providing a maximum speed limit of 5 mph within the car parks	M	
2.7	Lighting seen but not verified as audit was carried out in daylight hours.  Site management should check the lighting levels within the car park during darker hours to ensure they are sufficient.	BS8300 recommends good external environment lighting at designated accessible parking spaces, and on access routes to and from the car parking space. This is crucial in enabling people who are partially sighted, and people who have sensory/neurological processing difficulties, to be able to use the external environment conveniently, safely and securely. Outdoor car parks with light traffic should provide an average illuminance of 5 lux.	N/OG	Sep-23
4.3	Site management should undertake a review of the step lighting levels during darker hours to ensure that the step treads are evenly lit.	ADM vol-2 refers to BS8300 which recommends good external environment lighting for steps and stairs. This is crucial in enabling people who are partially sighted, and people who have sensory/neurological processing difficulties, to be able to use the external environment conveniently, safely and securely. Stairways and ramps (open) in the external environment should provide an average illuminance of 30 lux.	N/OG	Sep-23

<p>5.4</p>	<p>Level and stepped entrance options provided but sign indicates the level entrance is for deliveries and not that it's the accessible entrance.</p> <p>Both options are easily seen.</p>	<p>Signposting should be provided to direct disabled people to an alternative accessible entrance. Any signage provide should feature the International Symbol of Access and correct directional arrow. The alternative entrance must be open and available for use or have suitable procedures in place to provide</p>  <p>ADM vol-2 requires accessible entrances to be clearly sign-posted, using the International Symbol of Access from the edge of the site and the principal entrance if this is not accessible.</p> <p>Options on how to arrive at the site should be clearly illustrated on literature and on the website.</p>	<p>M/ST</p>	<p>Apr-24</p>
------------	--	--	-------------	---------------



6.9	<p>Auditor was not asked prior to visit. Visitors are usually escorted around the site.</p> <p>Site management need to ensure that this is suitably in place. There should be a procedure to ask visitors prior to their visit if they may have any access requirements that the staff should be aware of.</p>	<p>There should be a procedure to ask visitors if they have any access requirements that the site management should be aware of. It is important that building management are aware of access requirements in the event of an emergency.</p> <p>It is the responsibility of building operators to have Fire Risk Assessment and evacuation plans in place. Government guidance states, "Such an evacuation plan should not rely upon the intervention of the Fire &amp; Rescue Service to make it work". Refer to: <a href="https://assets.publishing.service.gov.uk/government/uploads/system/uploads/attachment_data/file/886446/9446_Means_of_Escape_v2_.pdf">https://assets.publishing.service.gov.uk/government/uploads/system/uploads/attachment_data/file/886446/9446_Means_of_Escape_v2_.pdf</a></p> <p>Site management need to ensure that the appropriate procedures are implemented.</p>	N	Jul-23
6.10	<p>Auditor was not asked on arrival. Visitors are usually escorted around the site.</p> <p>At current visitors are not asked if they may require assistance should the fire alarm be activated. This should be added as a question within the visitors sign in book.</p>	Refer to recommendation for 6.9.	N	Jul-23

7.2	<p>There were some obvious obstructions or hazards detected within the main routes on the day of the survey, where there are columns or items sorted in the corridors.</p> <p>Area 1 Columns in dining hall</p>	<p>Horizontal circulation including corridors and passageways should be subject to regular inspection and maintenance to ensure that surfaces are maintained in good condition and access routes are provided at their full available width free of obstructions. Accessible routes should be direct and obstruction-free. An access route should not be less than 1200mm.</p> <p>Where required, all columns should feature improved contrast to make them apparent to Blind/partially sighted people. The column/support should incorporate a band, 150 mm high, whose bottom edge is 1500 mm above ground level, and which contrasts visually with the remainder of the column/support.</p>	M	Feb-23
-----	---	--	---	--------

7.6	Some weather matting had striped patterning which may cause discomfort for some people.	<p>BS8300 recommends that large, repeating patterns that incorporate bold contrasting colours or simulate steps should not be used for any floor surface.</p> <p>People who are blind or partially sighted, and people with sensory/neurological processing difficulties, can be confused by bold patterns used in floor coverings and might read them as changes in level.</p> <p>PAS6463:2022 2022 Design for the mind also recommends that the amount of contrast within a pattern, particularly on a large area such as walls or floors, should be taken into account. High contrast increases the level of discomfort and visual overload some people experience.</p> <p>It also goes on to recommend: The following pattern and image groups should not be used for the floor design: geometric and repetitive patterns with high contrast;</p> <p>and explains that examples of repeating geometric forms are stripes, bars, and perforated materials that can appear to shimmer or move when viewed. The effect is relative to the size of the pattern in the field of view, the spatial frequency (number of times the pattern repeats relative to the viewing angle), duty cycle (ratio of shape to space) and contrast.</p>	M	Feb-23
8.3	Key doors throughout have the appropriate vision panels but some doors had vision panels obstructed by temporary notices such as for the Reception area entrance lobby.	It is recommended that site management implement a procedure to ensure that the temporary notices are not on the vision panels. This will prevent a potential collision hazard.	N	Jul-23

13.7	<p>WC 57 was missing the horizontal and drop down grab rails to the right of the WC pan. Some are located near to the shower and obstructed by the shower curtain and don't seem part of the WC fittings. Grab rails did contrast however.</p> <p>WC 37 is not currently used as an accessible WC, being used as the girls changing area for the Nursery. It still has the signage however. it does not have the required grab rails if it were to be used as an accessible WC in future.</p>	<p>A full BS8300 compliant set of grab rails should be provided where required, appropriate to the layout of the WC provided. Refer to the images below for locations of the required grab rails.</p> <p>Ensure any installed fixtures and fittings contrast from the surrounding surfaces.</p>	<b>M/OG</b>	
------	---	---	-------------	--

Figure 31 — *In-suite shower room for use with a ceiling-mounted full room cover tracked hoist system for assisted use*

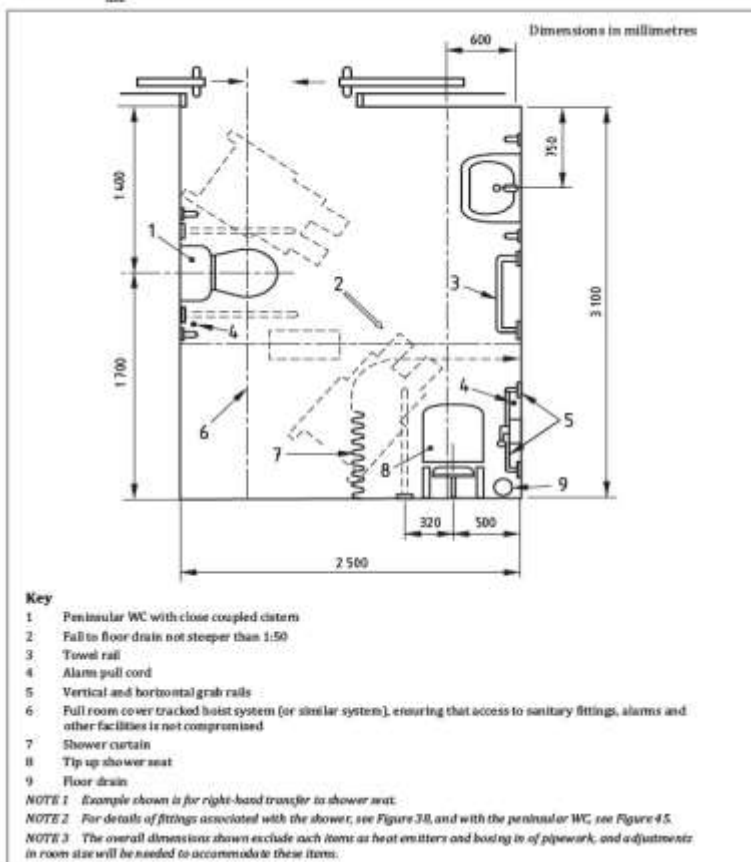
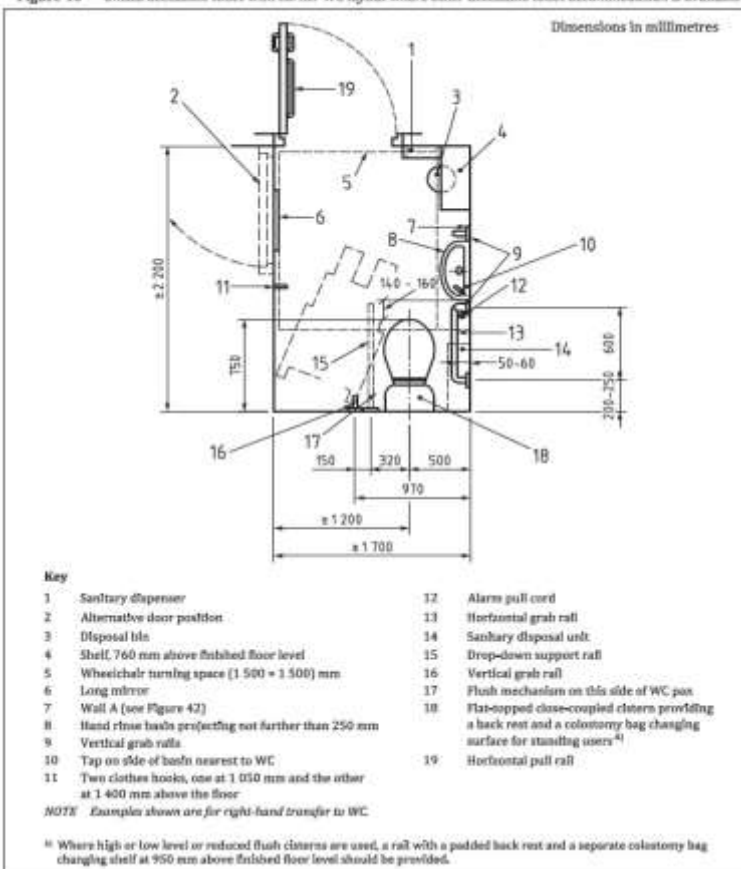



Figure 40 — *Unisex accessible toilet with carrier WC layout where other accessible toilet accommodation is available*



14.1	There is a range of seating available within communal areas including movable chairs and armchairs, but lack of suitable chairs with armrests to accommodate people with ambulant disabilities.	<p>Where possible a variety of seat heights at 380mm, 480mm and 580mm should be provided with some seating available with back and arm-rests. For single height only the seat height should be between 450mm – 480mm. Some seating should be freely moveable.</p> <p>Ensure seating are well contrasted against their surroundings and that there is space to the side which will allow a wheelchair user to be alongside a seated companion.</p>	M	Jul-23
------	---	---	---	--------

14.2	Classrooms do not have chairs with armrests to aid ambulant disabled people.	<p>A mixture of seating options should be provided. Seating should provide the following accessible features:</p> <ol style="list-style-type: none"><li>1) a variety of seat heights should be provided: 380 mm, 480 mm and 580 mm from finished floor level. Where only one seat is provided the seat height should be between 450 mm and 480 mm from finished floor level.</li><li>2) For some seats, back support and arm rests should be provided as some people requiring support need both.</li><li>3) Arm rests should be provided to help people lower themselves onto the seat and stand up and be provided at a height of 200 mm from the surface of the seat, and should extend from the back support forwards to cover at least 80% of the depth of the seat. Arm rests should contrast visually with the remainder of the seat and there should be a space between arm rests of at least 500 mm.</li><li>4) Back support should be provided at a height of at least 300 mm from seat level.</li><li>5) With bench seats, a level transfer space 1 200 mm wide should be located at one end, with an arm rest set in 500 mm to 750 mm from the transfer space. If there is more than one bench seat, a choice of left and right transfer should be provided.</li></ol>	M	Jul-23
------	--	--	---	--------

<p>15.3</p>	<p>There is a lack of signage to indicate where the toilets are located, but there is some tactile signage provided on the toilet doors. There was no braille signage.</p> <p>Some WC areas and doors had signs but others such as those in the dining room did not have signs.</p>	<p>The appropriate toilet signage should be provided as part of the recommended way finding review, refer to 15.1. As well as signage on the toilet doors, there should also be signs indicating where the accessible WC is located.</p> <p>BS8300 states - Information and direction signs should be provided at each point where they are required, e.g. at junctions of circulation routes, at key locations such as doorways and reception points, at facilities such as telephones and toilets, and in rooms, spaces and counters. The colour, design and typeface of signs should be consistent throughout a building.</p> 	<p>M</p>	
<p>15.5</p>	<p>There is no signage provided to indicate where the lifts are to help people identify where they are located within the building.</p>	<p>The appropriate lift signage should be provided. Also refer to 15.1, 15.2.</p> <p>BS8300 recommends that signs indicating the location of accessible lifting appliances should be provided in a location that is clearly visible from the building entrance.</p>	<p>M</p>	

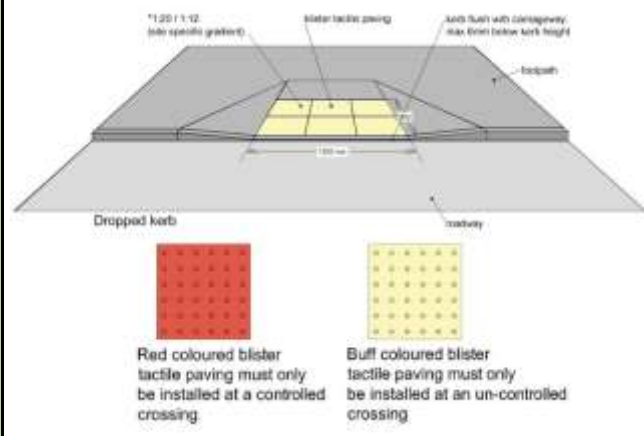


PRIORITY C

1.2

There is no tactile paving provided to some of the possible crossing points on approach to the site to aid people with impaired vision.

There is no crossing point provided from the carpark to the school entrance.



Depending on the responsible authority (i.e. Bradford Council), contact the Highways Department responsible for the routes on approach to the site, and request to provide tactile paving in areas where there are dropped kerbs to aid people with impaired vision. ADM states that an uncontrolled crossing point across the vehicular route should be identified by a buff coloured blister surface.

Any tactile paving a must be installed correctly and in accordance with Guidance on the use of Tactile Paving Surfaces 2021, See:  
[https://assets.publishing.service.gov.uk/government/uploads/system/uploads/attachment\\_data/file/1046126/guidance-on-the-use-of-tactile-paving-surfaces.pdf](https://assets.publishing.service.gov.uk/government/uploads/system/uploads/attachment_data/file/1046126/guidance-on-the-use-of-tactile-paving-surfaces.pdf)

N

1.5	There is a lack of on street signage on approach to the site but the school is visible from the road on approach.	<p>Signage should be refreshed to provide clear and easily identifiable navigation of the routes leading to the main entrances. Directional signs should specifically identify routes that are accessible and step-free, and should give as much information as possible to assist people in planning and navigating their route, including distances and gradients where appropriate.</p> <p>BS8300 recommends that orientation and way-finding should be planned to ensure that the arrangement of any building and its entrances on a site enable people to navigate and orientate themselves easily. The ease of orientation in and way-finding through an area is determined by its inherent legibility supported by information systems and signage.</p> <p>Way-finding should use spatial, physical and environmental clues to help people plan and navigate moving from one place to another. Appropriate way-finding clues should be incorporated which could include, but are not limited to:</p> <p>graphic communication, for example:</p> <ul style="list-style-type: none"> <li>• signs, information, maps and directories;</li> </ul> <p>tactile communication, for example:</p> <ul style="list-style-type: none"> <li>• embossed signage, Braille signage, tactile paving, changes in level and kerb upstands, tapping rails;</li> </ul>	<b>M</b>	
-----	---	---	----------	--

1.7	<p>On approach to the site, the light posts and traffic posts do not feature contrast markings at two heights in accordance to BS8300.</p>	<p>Site management should contact the Highways Department of the relevant authority (i.e. Bradford Council). Well contrasted markings should be provided at two heights to the posts/columns.</p> <p>☐</p> <p>Refer to BS8300 - Each free-standing post, e.g. a lighting column, within an access route should contrast visually with the background against which it is seen (it is desirable also to incorporate a band, 150 mm high, whose bottom edge is 1 500 mm above ground level, and which contrasts visually with the remainder of the column or post</p>	N	
1.8	<p>There is a lack of seating with armrests within areas that parents pick up and drop off their children.</p> <p>Playgrounds areas offered some seating but none with armrest.</p>	<p>Contact the relevant authorities and ask them to provide some seating within the access route to the entrance from bus stops, car parks etc. which has armrests to aid ambulant disabled people.</p> <p>BS8300 recommends that access routes on level ground should have resting places not more than 50 m apart for people with limited mobility. Ensure all seating is well contrasted against the background upon which they are seen and a choice of seating options should be provided suitable for a variety of users. Appropriate accessible space should be allowed for wheelchair users to be integrated within the general seating provision.</p> <p>Also refer to recommendations for 14.1 and 14.2.</p>	N/M	

<p>1.10</p>	<p>Limited play equipment was seen and there were no accessible items of equipment.</p> <p>A wildlife garden is provided but this has access routes which have inaccessible surfaces.</p>	<p>BS8300 recommends that Play areas should be designed to be inclusive and accessible, providing opportunities for people with a variety of impairments. Play areas should avoid segregation and separation, and should provide:</p> <ul style="list-style-type: none"> <li>• clear routes through the play area;</li> <li>• an interesting landscape with a variety of accessible ground levels;</li> <li>• sensory play opportunities, including visual, audible and tactile;</li> <li>• dynamic pieces within easy reach for a range of users (seated, standing and different heights);</li> <li>• accessibility to water and sand opportunities where these are provided;</li> <li>• the ability to get close to and interact with climbing units which might not themselves be accessible;</li> <li>• challenge for those using the facility;</li> <li>• quiet areas that incorporate gentle sensory experiences;</li> <li>• quiet areas to allow those who require them to retreat to;</li> <li>• accessible observation points, where parents or carers can observe their children without being involved in play activities;</li> <li>• easy access to toilets.</li> </ul>	<p>M</p>	
-------------	---	---	----------	--

3.1

The older ramps seen do not have colour contrast to the surface to indicate the presence of a gradient. Some are also steeper than recommended.

Newer ramps had contrasted surfaces and tactile paving provided.

Ramp at Main Entrance - not used as obstructed by flowerpots at top?

Gradient 10 degrees/ 1:5.671

Entrance area 8

Gradient 1degree/ 1:57.29

Entrance area 59 gradient shallow

Entrance area 113 gradient 3 degrees/ 1:19.08

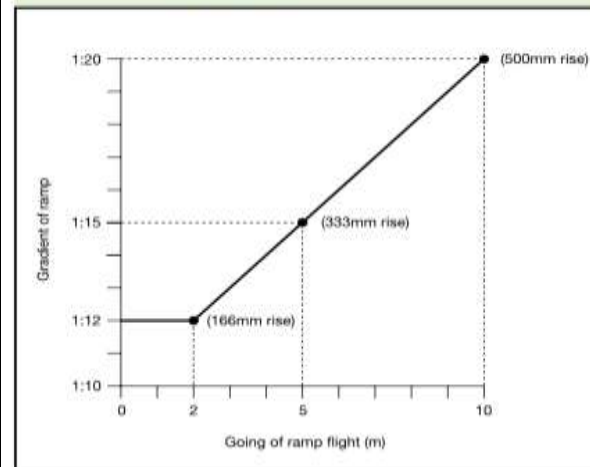
Entrance area 56 gradients 5, 7 degrees/ 1:19.08, 1:8.144

Entrance to Nursery area 32 gradient 9 degrees / 1:6.314

ADM require ramp gradients to be within 1:20 - 1:12. Dependent on heritage requirements, surfaces need to be slip-resistant especially when wet and of a colour that contrasts visually with that of the landings.

Some of the current access route ramps are of a gradient steeper than that deemed reasonable under ADM. Where possible, during any future works, the gradients of these primary access routes should be reduced to provide an ADM compliant ramp gradient as below:

**Diagram 3 Relationship of ramp gradient to the going of a flight**

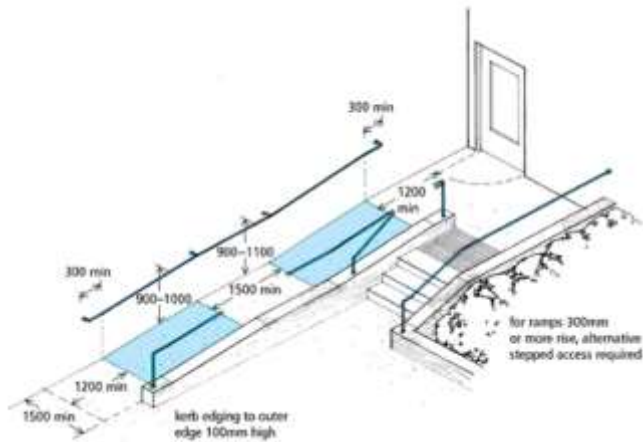


M/ST

3.2

Most ramps had handrails provided on one side.

Some ramps had black handrails which did not contrast where the walls were darker.



Handrails are a relatively simple and cost-effective adjustment that provides a range of benefits; support, guidance, guarding and route definition. All of these features improve accessibility for disabled people. Implement a rolling programme to upgrade handrails to achieve AD M and BS8300 compliance. Ramps serving communal facilities and access routes used by disabled people should be prioritised with others included as part of any refurbishment or alteration works in future.

ADM vol-2 requires handrails on both sides. BS8300 compliant handrails should be installed to both sides of a ramp. The handrails should be coated with nylon or a suitable alternative to ensure that they are not cold to touch. The handrails should provide the required 300mm horizontal landing extensions with the entire handrail located at a height of 900-1000mm from the slope and landing surface as required by BS8300 and ADM vol-2.

M/OG

Aug-24

4.1

The following external steps do not feature tactile paving to assist people with impaired vision.

Main Entrance Steps

Entrance area 56

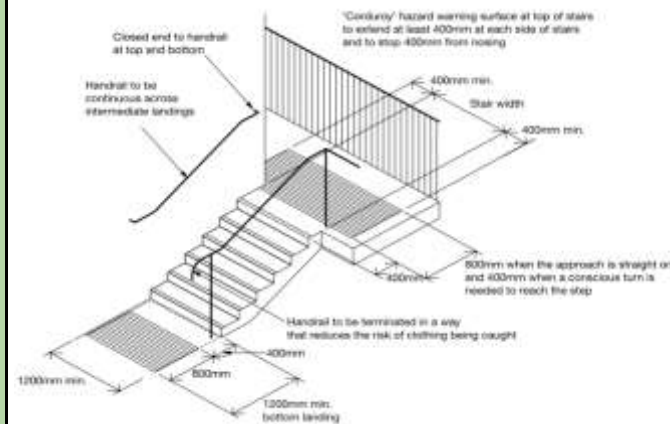
MUPA

The following External steps do feature tactile paving to assist people with impaired vision:

Entrance area 8

Entrance area 59

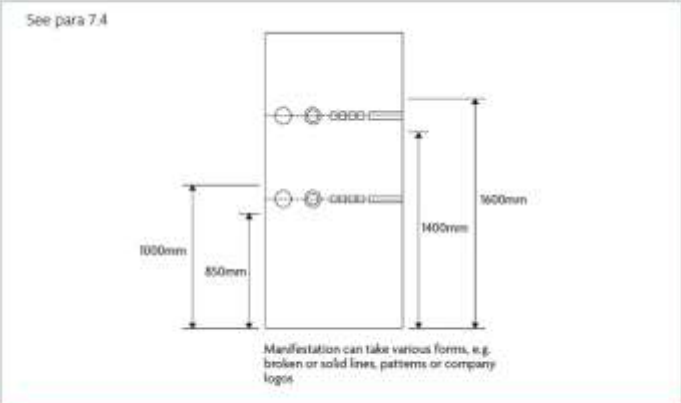
Entrance area 112 top only



Tactile paving is an important hazard indicator for blind and partially sighted people and is expected to be present. Implement a rolling programme to install tactile hazard warning paving to the top and bottom of steps where two or more steps are present. Steps serving communal facilities and access routes used by disabled people should be prioritised with others included as part of any refurbishment or alteration works in future. ADM vol-2 requires a corduroy hazard warning surface provided at the top and bottom of each flight of 800mm x 1200mm minimum, 400mm from the step.

BS8300 - To give advance warning of a step, tactile paving with a corduroy hazard warning surface should be provided at the top and bottom of each flight, excluding intermediate landings with continuous handrails. Where the approach to the stair is wider than the flight, the tactile surface should extend beyond the line of each edge of the flight.

M/ST

<p>5.9</p>	<p>Manifestations are provided but may not be apparent against the backgrounds seen.</p>	<p>Well contrasted manifestations should be provided at two heights to the entrance.</p> <p>☐</p> <p>Glazed doors need to have permanent strips on the glass within two zones, from 850mm to 1000mm from the floor and from 1400mm to 1600mm from the floor. These strips need to be contrast in colour (not treated glass) and luminance with the background seen through the glass in all light conditions.</p>  <p>See para 7.4</p> <p>Diagram 7.2 Height of manifestation for glass doors and glazed screens</p>	<p>M</p>	
<p>5.11</p>	<p>Automatic doors are provided.</p> <p>The external door exit is visible but may need its symbol repainted to offer Better contrasting.</p> <p>The internal door exit is not apparent and would need improved contrasting and signage.</p> <p>Both are at suitable heights.</p>	<p>Refer to recommendation for 5.9.</p>	<p>M</p>	



6.3	<p>The reception does have a lowered section to accommodate wheelchair users or people of short stature.</p> <p>The sign in screen is located just over an accessible height at 1264mm from floor level. It can be rotated but not easily lowered.</p>	<p>Relocate or adjust the sign in screen to a suitable height for all users. ADM vol-2 requires that controls or switches requiring precise hand movements are located between 750-1200mm above the floor.</p> <p>BS8300 recommends that all switches and controls that require precise hand movement/dexterity are in a zone 750 mm to 1000 mm from the floor so that wheelchair users and people standing can operate them.</p>	<b>OG/M</b>	
6.4	<p>The reception does not have colour contrast provided to the front to aid people with impaired vision.</p>	<p>It is recommended that a section of the flooring 1500x1500 in front of the reception desk be replaced with an alternative that is suitably colour contrasted. This will aid people with impaired vision when attempting to locate the reception desk.</p>	<b>M</b>	

6.7	No signage was seen to indicate the availability of information in alternative formats.	<p>Have procedures in place to produce documents in accessible formats. These formats are Audio, Braille, Large Print, Easy-Read and electronic formats such as WORD and PDF that are more accessible to screen reading technology.</p> <p>Include the phrase "Alternative Formats Available on Request" on written material. You must have contacts and procedures in place to satisfy a request. See <a href="https://www.gov.uk/government/publications/inclusive-communication/accessible-communication-formats">https://www.gov.uk/government/publications/inclusive-communication/accessible-communication-formats</a></p> <p>It is recommended that signage be installed to indicate that all public information issued can be provided in accessible formats on request.</p> <p>☐</p> <p>Direct Access is able to provide materials in accessible formats such as Braille, BSL (British Sign Language), tactile maps and audio descriptions. Please contact the Direct Access Implementation Team for more details at <a href="mailto:info@directaccess.group">info@directaccess.group</a>.</p>	<b>M</b>	May-23
-----	---	---	----------	--------

6.8	There are no chairs with armrests to aid people with ambulant disabilities within the reception waiting area.	<p>BS8300 recommends that seating should be provided in reception areas and be available for people who might be less able to stand while queuing or waiting.</p> <p>A mixture of seating options should be provided. Seating should provide the following accessible features:</p> <ol style="list-style-type: none"><li>1) a variety of seat heights should be provided: 380 mm, 480 mm and 580 mm from finished floor level. Where only one seat is provided the seat height should be between 450 mm and 480 mm from finished floor level.</li><li>2) For some seats, back support and arm rests should be provided as some people requiring support need both.</li><li>3) Arm rests should be provided to help people lower themselves onto the seat and stand up and be provided at a height of 200 mm from the surface of the seat, and should extend from the back support forwards to cover at least 80% of the depth of the seat. Arm rests should contrast visually with the remainder of the seat and there should be a space between arm rests of at least 500 mm.</li><li>4) Back support should be provided at a height of at least 300 mm from seat level.</li><li>5) With bench seats, a level transfer space 1 200 mm wide should be located at one end, with an arm rest set in 500 mm to 750 mm from the transfer space. If there is more than one bench seat, a choice of left and right transfer should be provided.</li></ol>	M	Jul-23
-----	---	--	---	--------

7.3	<p>First Floor area 22 and adjoining rooms has KS1 library and meeting rooms / WCs. Stair access only.</p> <p>Staff area 75 and adjoining rooms can only be access by stairs.</p> <p>All other areas are accessible.</p>	<p>Any service offered on upper floors or which are inaccessible to a wheelchair user must be replicated, relocated or offered in alternative accessible locations on an equal basis when it is required by disabled people. Level or suitably ramped access should be provided to any facilities on the ground floor.</p> <p>Any alternative location used must be subject to review in response to access requirements and user need to ensure that accessible facilities are provided.</p>	N/M	Sep-23
8.2	<p>Some areas of fenestration had manifestations but they may need improved contrasting to be seen against their backgrounds.</p>	<p>Any glazed doors must be clearly highlighted with manifestation that contrasts visually with the surface behind it. This manifestation should be located within two zones, from 850mm to 1000mm from the floor and from 1400mm to 1600mm from the floor.</p>	N/OG	

8.7	<p>There is a mixture of keypads used on site and are positioned too high off the ground floor level for wheelchair users. Many people with dexterity impairments can find these difficult to use.</p> <p>Keyfob heights, from floor level 1254mm</p> <p>Door exit buttons, from floor level 1385mm 1400mm</p>	<p>ADM vol-2 requires that controls or switches requiring precise hand movements are located between 750-1200mm above the floor. BS8300 recommends that all switches and controls that require precise hand movement/dexterity are in a zone 750 mm to 1000 mm from the floor so that wheelchair users and people standing can operate them.</p> <p>Activation points for electronic door entry systems should be located on the latch edge of the door (on the door face or the adjacent wall) with the activation point positioned within 200 mm of the door frame. Swipe-card and insertion-type systems, which require more precise hand control, should be orientated vertically, within a height range of 900 mm to 1 000 mm. They controls should not require the simultaneous use of two hands, and should contrast visually with the background with embossed information to aid tactile reading.</p>	M/OG	
-----	--	--	------	--

<p>10.3</p>	<p>All stairs had handrails on both sides except for the stair from area 2 to area 22 - which is inaccessible to a wheelchair user.</p> <p>This stair is narrow at 863mm.</p> <p>By area 2 to KS1 library and upper floor meeting rooms.</p> <p>Treads 255mm deep Risers 189mm high Width 863mm</p>	<p>BS8300 compliant handrails should be provided on each side of a stair flight throughout its length and landings where not obstructing any adjoining access routes. The top surface of the handrail should be between 900 - 1000mm from the pitch line of a stair and between 900 - 1100 mm from the landing.</p> <p>Handrails should have an oval profile with dimensions of 50mm wide and 39mm deep and rounded edges with a radius of at least 15 mm. Circular handrails should have a diameter of 32 - 50mm. They should have a clearance of 50 - 75mm from the wall surface, and 50mm between a cranked support and the underside of the handrails.</p> <p>Handrails should visually contrast from their surroundings and include a 300 mm long section in the horizontal plane beyond the start and finish of the ramp.</p>	<p>M</p>	
<p>11.9</p>	<p>There is no colour contrast to the flooring outside the lift to aid people with impaired vision.</p>	<p>It is recommended that a clear manoeuvring space of 1500 x 1500mm is provided in front of the lift and that this is colour contrasted for the surrounding flooring. This will aid people with impaired vision when attempting to locate the lift entrance.</p>	<p>M</p>	<p>Feb-24</p>

<p>12.1</p>	<p>Most WC areas were a suitable size. Staff WCs within area 75 which is completely inaccessible to a wheelchair user has a lobby of a small size and heavy doors.</p> <p>Staff WC mens 75 door heavy Lobby small at 1237 x 1233mm</p> <p>Staff First Floor area Children's areas 8 and both by 151 Children's 59, 170, 171 red and grey - same layout.</p> <p>Dining area WC doors (x3) narrow at 598mm. Sinks no lever taps.</p> <p>Children's area 161, 67</p> <p>EYFS children's WCs</p> <p>EYFS staff WC</p> <p>Nursery children's WC</p>	<p>A lobby consisting of inner and outer doors may be used: a) in an airlock arrangement; and/or b) to assist entry control of strangers when people are entering or leaving a building.</p> <p>The dimensions and shape of a lobby should allow a wheelchair user to be able to move clear of one door swing to push open the next door or reverse their wheelchair to pull it open, and for someone helping a wheelchair user.</p> <p>Lobbies with single leaf doors should be avoided wherever possible. If used, the minimum dimensions of such lobbies should be as shown below. Lobby doors should have vision panels. Where double doors are used for a lobby, the length of the lobby should be at least the projection of the door or doors, if swinging into the lobby, plus 1 570 mm. Double swing doors with vision panels are preferable because they are easier to negotiate in both directions (cont).</p>	<p>M/ST</p>	
-------------	--	---	-------------	--





<p>12.4</p>	<p>Cubicle doors for one of the children's and staff are not appropriately colour contrasted where they are grey with grey surrounds, to aid people with impaired vision.</p> <p>Staff First Floor area Children's area 8</p>	<p>Cubicle doors throughout should appropriately colour contrasted to identify doors within frames to aid people with impaired vision.</p> <p>A difference of 30 points LRV (Light Reflectance Value) is recommended as appropriate contrast. Door opening furniture should contrast visually with the surface of the door which it operates, achieving a difference of at least 15 points in LRV.</p> <p>Door locks and door-furniture should be easy to operate using a 'closed-fist', limited dexterity and/or minimal force. Bolt action and sliding locks are preferred and thumb-turn locks should be avoided.</p>	<p>M/OG</p>	
<p>12.6</p>	<p>The majority of children's WCs, and some staff WCs do not have lever style or sensor operated taps to aid people with dexterity impairments.</p> <p>Staff First Floor area Children's areas 8, 59 (and others) Dining area</p>	<p>It is recommended that push and turn taps should be replaced with lever style or sensor taps, this will aid people with limited dexterity in their wrists. Lever style taps can be left on by kids.</p> <p>According to BS8300 - Taps should either be mixer taps with a single lever action to control water flow, or individual, clearly marked, hot and cold lever-operated taps with not more than a quarter turn from off to full flow.</p>	<p>M/OG</p>	
<p>14.3</p>	<p>Dining room counters would have sufficient height for a wheelchair user to approach. There is no induction loop provided.</p> <p>Dining room counters 868mm, 875mm</p>	<p>The dining counters within both of the halls do not feature an induction loop. Deemed reasonable to retain unless this is specifically asked for by a pupil who has a hearing impairment.</p> <p>Refer to recommendation 16.5 for more information.</p>	<p>M</p>	<p>Jul-24</p>

14.4	Fitted seating which is connected to the tables is provided.	Where possible a variety of seat heights at 380mm, 480mm and 580mm should be provided with some seating available with back and arm-rests. For single height only the seat height should be between 450mm – 480mm. Some seating should be freely moveable.	<b>M</b>	Jul-23
14.7	There are no height adjustable tables available to accommodate wheelchair users and people of short stature.	<p>Height adjustable table should ideally be purchased and installed for wheelchair users or people of small stature who may require use of one.</p> <p>Consideration should be given to providing adjustable height desks on demand for use by disabled people in shared workshop and task areas. In workplaces adjustable height desks should be provided subject to individual workplace assessments.</p>	<b>M</b>	

<p>15.1</p>	<p>There was minimal wayfinding and signage seen throughout the school. Some classrooms and areas had signage on doors but others areas did not.</p> <p>There is no tactile or braille signage provided throughout the site to aid people with impaired vision. There is very limited pictorial signage to aid people with learning disabilities.</p>	<p>Review of way finding signage may be required. Whilst the latest BS8300 revision has downplayed the requirement for Braille, it has highlighted the importance of pictorial signage.</p> <p>Pictorial signage should be considered for throughout the site. There should be new directory boards and tactile/Braille signage on the actual doors.</p> <p>Words entirely in upper case type (capital) should also be avoided. A sans serif type face with a relatively large “capital” height to “x” height should be used.</p> <p>BS8300 - Signs and universally accepted symbols or pictograms, indicating lifts, stairs, circulation routes and other parts of the building should be provided. Visual signs should be self- evident and, in particular, legible to visually impaired people. Plain English and pictograms together should be used to assist people with learning difficulties.</p>	<p>M</p>	
-------------	---	--	----------	--

15.4	There is no level signage provided within the stairwells to help people identify where they are located within the building.	<p>A wall-mounted information board should be provided at floor level landings of staircases, and at other major decision points in main circulation routes. A stair/level identification sign should be present within the stairwell. This is a tactile and Braille sign next to the door leading out of the stairwell and provides level identification.</p> <p>Signs and universally accepted symbols or pictograms should be provided. Visual signs should be self-evident and, in particular, legible to visually impaired people. Plain English and pictograms together should be used to assist people with learning difficulties.</p>	<b>M</b>	
------	--	---	----------	--

PRIORITY D

4.2	<p>Some handrails did not contrast sufficiently from their background where they are black against dark brick backgrounds.</p> <p>The following steps have suitable handrails on both sides:</p> <p>Main Entrance Steps Entrance area 8 Entrance area 59 Entrance area 56</p> <p>One area had handrails on one side: Handrails on one side Entrance area 113</p>	<p>BS8300 compliant handrails should be installed. The handrails should be replaced with a BS8300 oval style profile and be coated with nylon or a suitable alternative to ensure that they are not cold to touch.</p> <p>The handrails should have a suitable profile (circular: 40 – 45mm, oval 50mm, in diameter) that projects at least 60 - 75mm clear of the adjacent wall – 50mm between a cranked support and the underside of the handrail.</p> <p>The handrail needs to extend at least 300mm beyond the top and the bottom of the steps and should not project into the route of travel.</p> <p>Handrails should contrast with the surroundings against which they are seen.</p>	<p>M</p>	
-----	--	---	----------	--

<p>4.4</p>	<p>All of the external steps have treads which are long enough and they are of the same length. The main entrance steps have long overhangs.</p> <p>Main Entrance Steps Treads 361mm deep overhang &gt;25mm Risers 155mm high</p> <p>Most steps are of the correct height and there are no open risers which can cause a potential tripping hazard. Some have risers which are shallow such as: Entrance area 8 Risers shallow at &lt;150mm</p> <p>These steps meet requirements: Entrance area 59 Treads and risers ok (289mm, 163mm)</p> <p>Entrance area 113 Treads and risers ok (298mm, 180mm)</p> <p>Entrance area 56 Treads and risers ok (298mm, 170mm)</p> <p>MUPA Treads and risers ok (390mm, 160mm)</p>	<p>Some of the external steps do not meet ADM. If future development is carried out it would be recommended to refer to current standards and upgrade steps to ADM compliance. BS8300 recommendations would be the preferred option.</p> <p>The rise and going of each step should be consistent throughout a flight. Avoid, if possible, step nosings that protrude over the tread below. If the nosing protrudes, ensure that this is by no more than 25mm ADM was referred to for external steps which provide general public access within the site or to each building. This requires goings/ treads between 280-425mm and risers between 150-170mm with no open risers - some flexibility allowed with heights of risers if adjacent to existing buildings and subject to dimensional constraints. BS8300 recommends treads between 300-450mm and risers between 150-180mm.</p>	<p>ST</p>	
------------	---	---	-----------	--

<p>7.1</p>	<p>Most main corridors and areas have widths which would easily accommodate wheelchair users.</p> <p>The corridor down areas 1,2,3 are narrower than recommended widths of 1200mm.</p> <p>By staff kitchen, width 890mm</p>	<p>It is noted that space is restricted by structural constraints. Wherever possible ensure that all access routes maintain a minimum clear width. It is preferable to have a minimum aisle width of 1200mm with 1800mm diameter turning space where a turn or return is required.</p> <p>Any adjustments are currently restricted to temporary and free-standing structures and objects with accessible dimensions adopted during future works.</p> <p>With any future development work carried out, refer to current BS8300 standards regarding the widths of access routes internally which should be a minimum of 1200mm wide, and preferably 1800mm wide.</p> <p>Internal doorways should have a width of 800mm minimum, or 825mm where there is right angle turn from a access route that is 1200mm wide. ADM allows that a width of 750/775mm would be acceptable for existing doorways.</p> <p>BS 9999:2017 recommends a minimum effective clear width of 850 mm where unassisted wheelchair access is necessary for the purposes of fire evacuation.</p>	<p>M/ST</p>	
------------	---	---	-------------	--

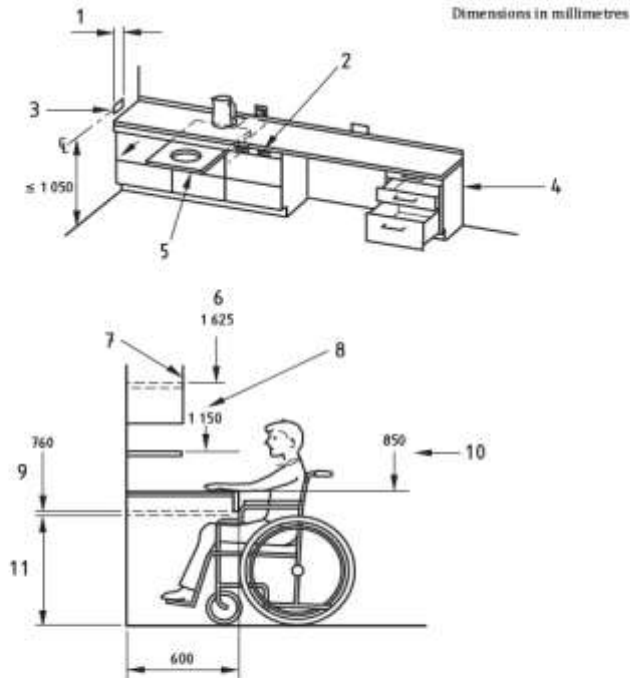
8.4	<p>Doors off area 22 such as the following had widths that were narrower than 750mm.  Door narrower than 750mm  First floor Men's &amp; Ladies WC (20, 21).</p> <p>All other doors exceed 750mm width which allows wheelchair users to easily pass through without catching their knuckles on the door frames.</p>	<p>Doors on access routes used by disabled people should be prioritised as part of any refurbishment or alteration works in future. Widths should meet ADM vol-2 and BS8300 recommendations.</p> <p>ADM vol-2 requires a minimum door opening width of 750mm for an approach from a 1500mm wide access route and 775mm at right angles to a 1200mm access route.</p> <p>A more accessible specification of 800mm for a straight-on approach or right-angle approach from a 1500mm wide access route and 825mm at right angles to a 1200mm access route is recommended, in accordance with BS8300-2.</p>	ST	
-----	--	---	----	--



8.5	<p>Door furniture usually had good contrast against its background except for some where there were panels the same colour as the door handles.</p> <p>Most handles are just above recommended heights of 1000mm (for pull handles) and 1050mm (for lever handles) but would be deemed reasonable to retain.</p> <p>Pull handles, to base, height from floor level 1047mm 1058mm</p> <p>Lever handles, to base, height from floor level 1075mm 960mm</p> <p>Staff room 75 handles same colour as background</p>	<p>A rolling refurbishment programme should be implemented to install new BS8300 compliant door furniture. BS8300 recommends that manual door controls should be between 700/1000mm max to 1300mm above floor level for pull handles, and 800-1050mm (900mm preferred) for lever handles. Preferably there should be a clear level approach of 1500 x 1500mm in front of the doorway and controls at least 350mm away from a corner.</p> <p>For easy identification, all door opening furniture should contrast visually with the surface of the door. New furniture handles should be well contrasted and tubular style operated via lever. Door knobs are generally difficult for use by people with ambulant disabilities. People who may have dexterity impairments or arthritis due to the wrist action required to open them.</p> <p>It is understood that door control systems in nursery may be positioned for safeguarding purposes; however, in the event that this room is to be accessed by a wheelchair user or someone who is short in stature, suitable procedures must be in place to ensure independent access can be gained.</p>	M/OG	
-----	---	--	------	--

<p>14.8</p>	<p>Staff kitchenettes in rooms 9, 34 No lever taps are provided.</p> <p>Main staff room 77 has lever taps.</p> <p>No lowered counters are provided.</p> <p>EYFS classroom area has lowered counters with lever taps provided.</p>	<p>A kitchen area should have an unobstructed floor space of at least 1 500 mm × 1 500 mm between facing floor units or between floor units and a wall. Where possible, an unobstructed space or knee recess, at least 800 mm wide, should be provided to one side of kitchen appliances such as refrigerators, washing machines, freezers or ovens.</p> <p>Taps should be changed to lever style or automatic sensor taps to aid people with limited dexterity.</p> <p>The kitchenettes should include disability access, i.e., a section of work top lowered to 760mm (or 850 for a shared worksurface) with clear space underneath of minimum 700mm to allow wheelchair access; sink unit to have lever taps fitted, and utensils included.</p> <p>Refer to images.</p>	<p><b>M/ST</b></p>	
-------------	---	--	--------------------	--

Figure 50 — Work surfaces and accessories

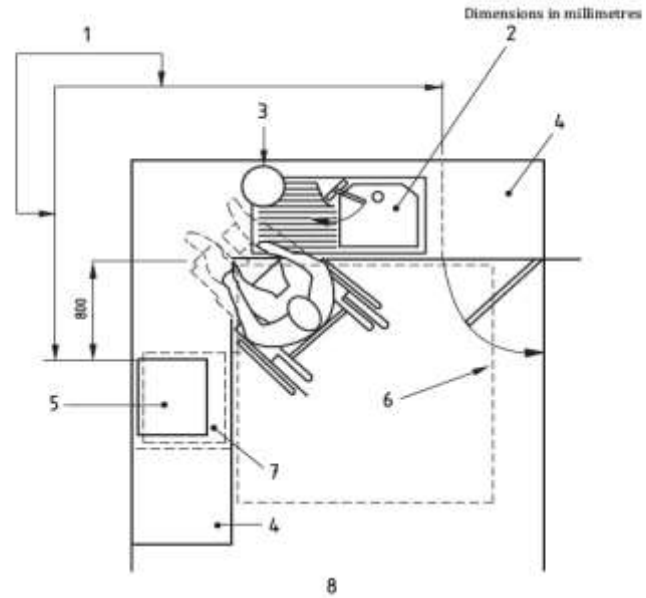


**Key**

- |   |   |
|---|---|
| 1 Power sockets on side wall 150 mm max. back from the front of worktop | 7 Standard location of wall cupboards   |
| 2 Isolating switches controlling sockets on rear wall above knee recess | 8 Maximum shelf height to allow reach from a wheelchair                                   |
| 3 Switched socket outlets 150 mm above work surface on side wall        | 9 Height of work surface specifically for wheelchair users (760 mm or adjustable height)  |
| 4 Cabinet with deep pan drawers   | 10 Height of work surface for a shared refreshment facility (850 mm or adjustable height) |
| 5 Pull-out shelf above floor-mounted cupboard unit                      | 11 Clear height 700 mm min. for knee recess   |

*NOTE* The drawing shows the use of a wheelchair with desk arms.

Figure 51 — Layout of shared refreshment facility




**Key**

- |  |
|--|
| 1 Clear space under worktop (structural support will be required for sink and worktop but should not impede access for wheelchair users) |
| 2 150 mm deep sink bowl (insulated)  |
| 3 Water heater (may be freestanding subject to safety requirements)  |
| 4 Floor unit   |
| 5 Microwave oven   |
| 6 Wheelchair turning space (1 500 × 1 500) mm  |
| 7 Refrigerator under worktop   |
| 8 Work surface 850 mm above finished floor level or adjustable height  |



15.6	<p>Noticeboards were generally to display pupils work and they were deemed appropriate.</p> <p>Some of the covers may be reflective from some angles.</p>	<p>Reflective covers or poorly positioned lighting that cause difficulties with reading information should be avoided.</p> <p>Information within display boards should use a mix of upper and lower case letters. Sentences or single word messages should begin with an upper case letter and continue with lower case letters. Text entirely in upper case type (capitals) should not be used. Any sans serif typeface with a relatively large x-height (lower case letter height) to capital height should be used. Information boards with detailed text should be at an accessible height of between 1200-1600mm.</p>	<b>N/OG</b>	
------	---	--	-------------	--

15.8	A tactile map would be extremely beneficial for a school of this size.	<p>Suggest providing tactile options such as tactile handouts, or tactile maps internally within the site. BS8300 recommends that all key location information, such as sign directories, orientation signs, maps and plans, should be both visual and in tactile form where low enough to be touched. Where practicable, audible information should also be provided.</p> <p>Orientation (“you are here”) information should be provided in accessible places. It should be clearly signposted and located alongside the main accessible route within a building, or clearly visible from the entrance to a building, so that it can be examined without restricting the access route. The orientation of maps and plans should match that of the building.</p> <p>Direct Access provides tactile maps, please contact us for further details.</p>	M	
------	--	---	---	--

<p>16.2</p>	<p>The majority of the light switch plates are not suitably colour contrasted against their background.</p> <p>Some are also located high for a wheelchair user or a person of short stature at over 1200mm from floor level.</p> 	<p>At the next refurbishment for the sites, it would be beneficial to change the existing light switch plates with alternatives that have a grey/silver plate.</p> <p>Alternatively, light switch plates with a contrasting surround could be used.</p> <p>This will ensure that they are easily located by people with impaired vision.</p>	<p><b>M</b></p>	
<p>16.4</p>	<p>There were wall lights seen in one stairwell which can cause glare.</p>	<p>Each flight and landing of a stepped access route should be well illuminated, providing a clear distinction between each step and riser. The illuminance at tread level should be at least 100 lux.</p> <p>Lighting that causes glare (such as poorly located wall lights, spotlights, floodlights or low-level light sources) should be avoided.</p>	<p><b>M</b></p>	